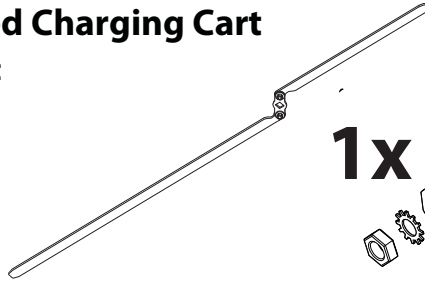


Service Kit

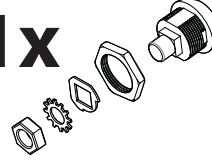
HP Charging and Managed Charging Cart Front Door Lock Replacement • K001174



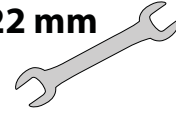
1x



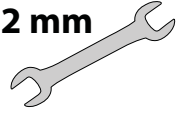
1x



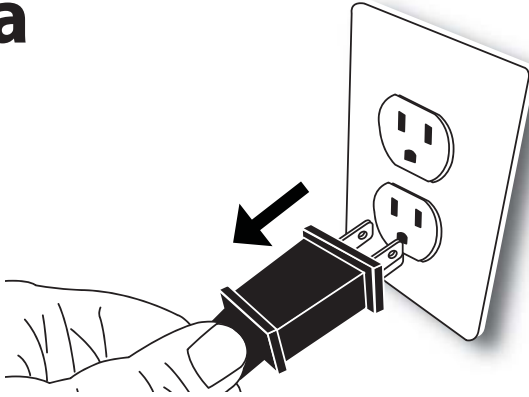
22 mm



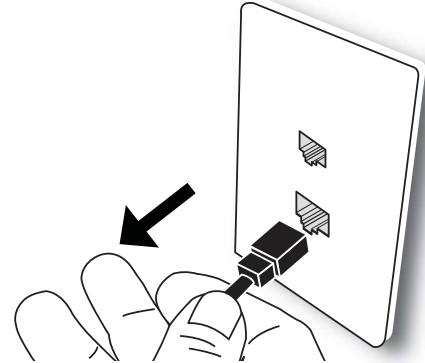
12 mm



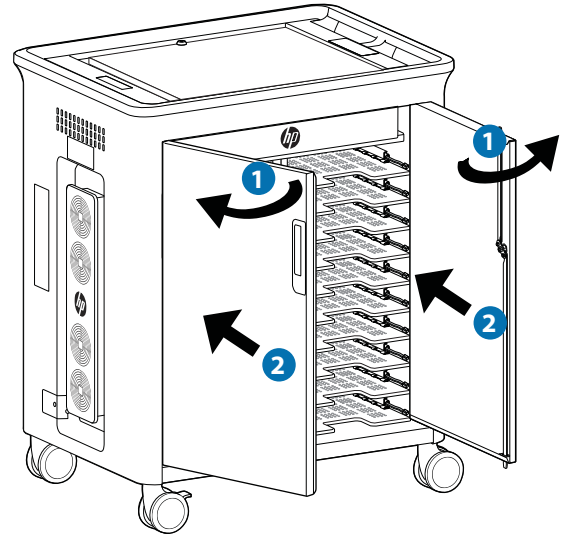
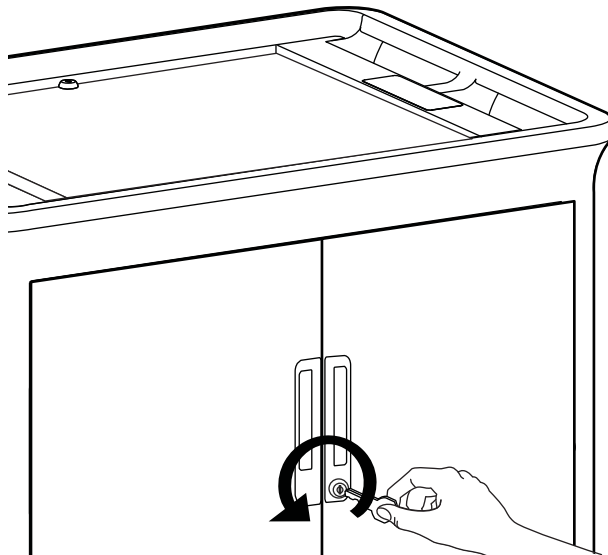
1a



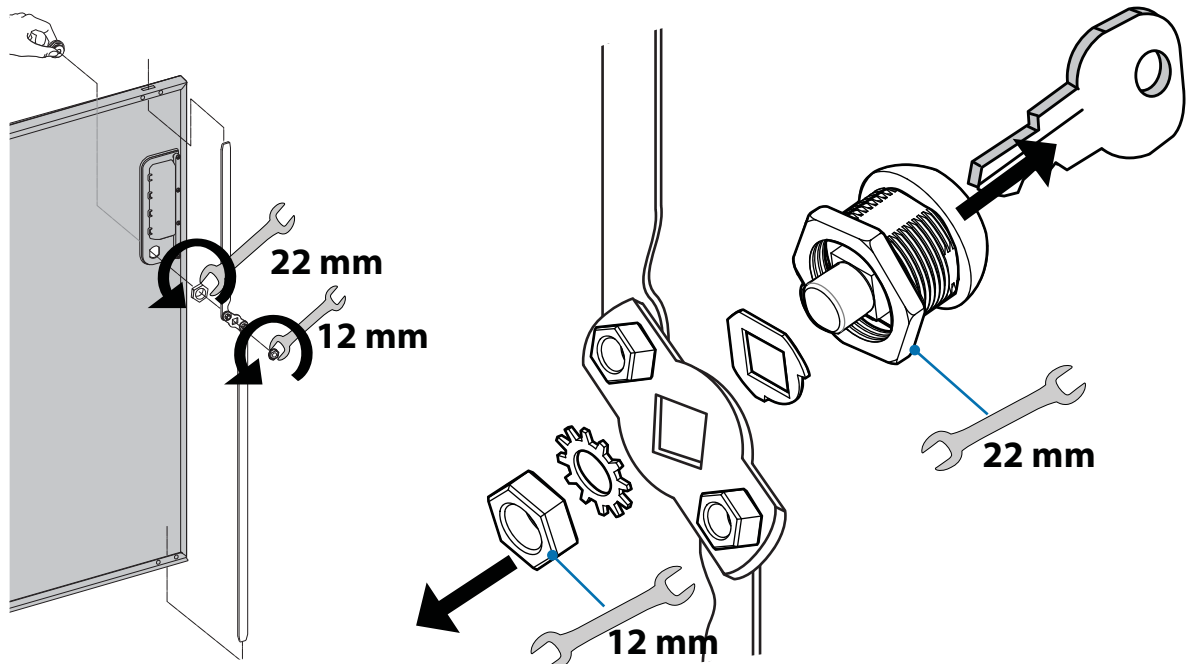
b



2a

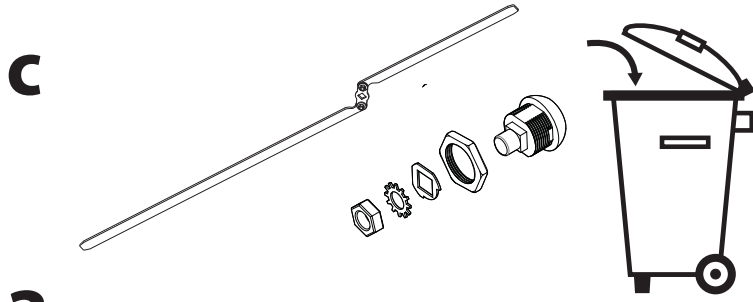


b

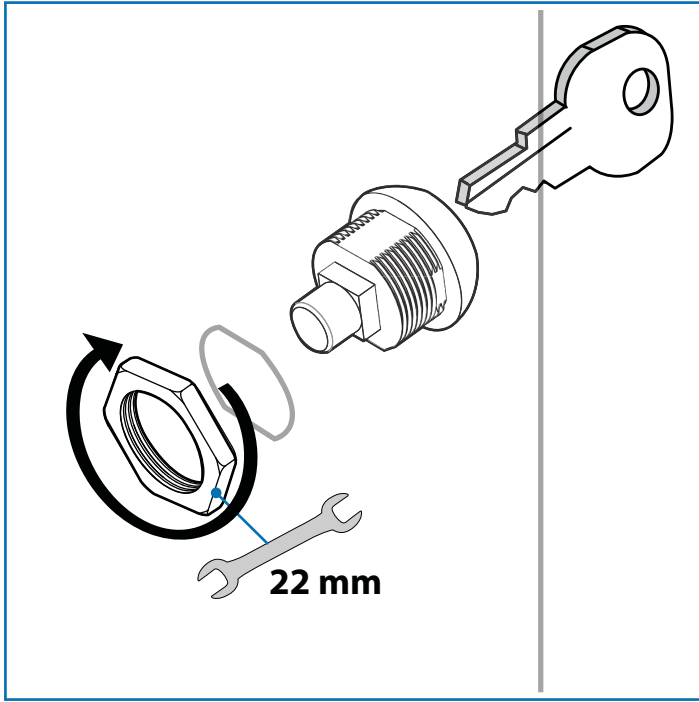


Service Kit

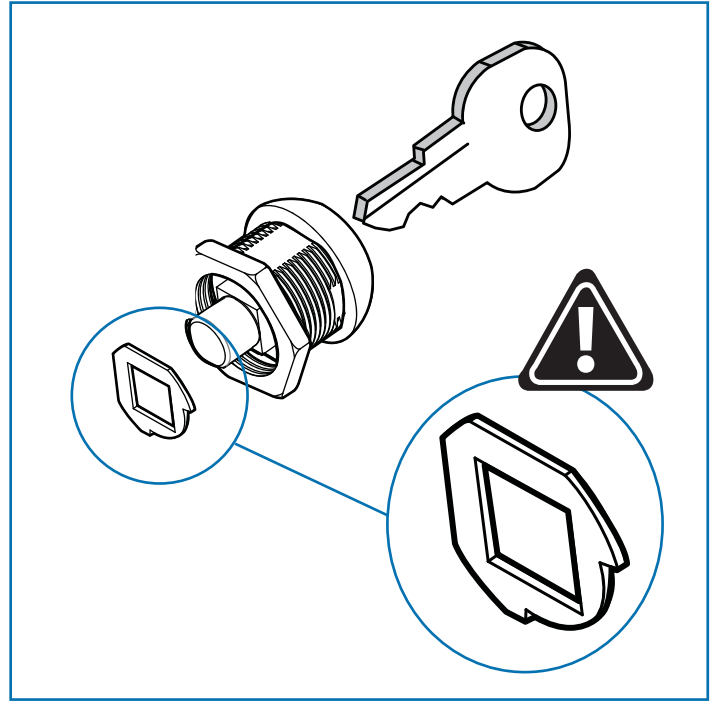
HP Charging and Managed Charging Cart



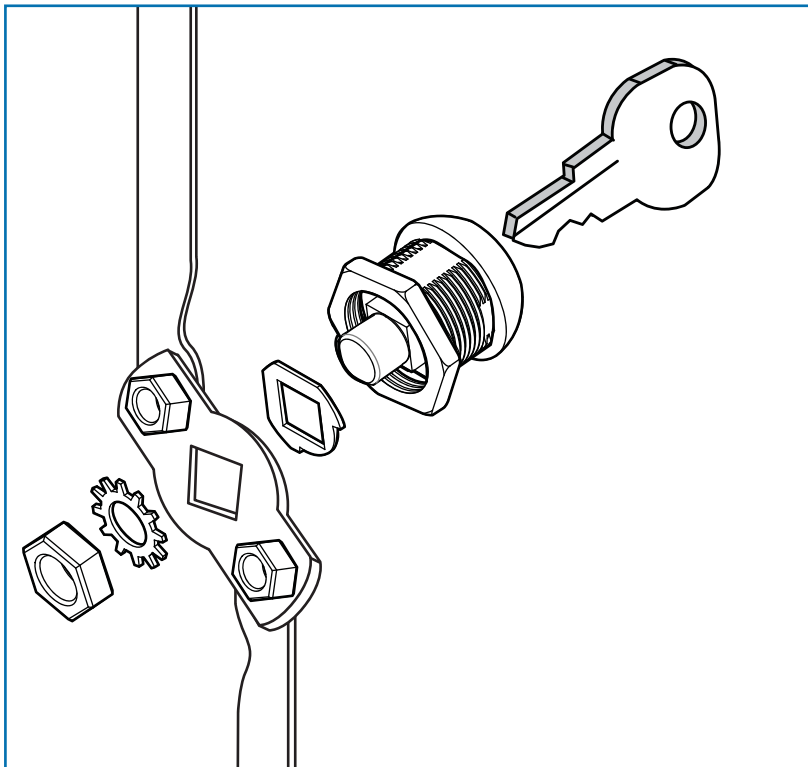
3a



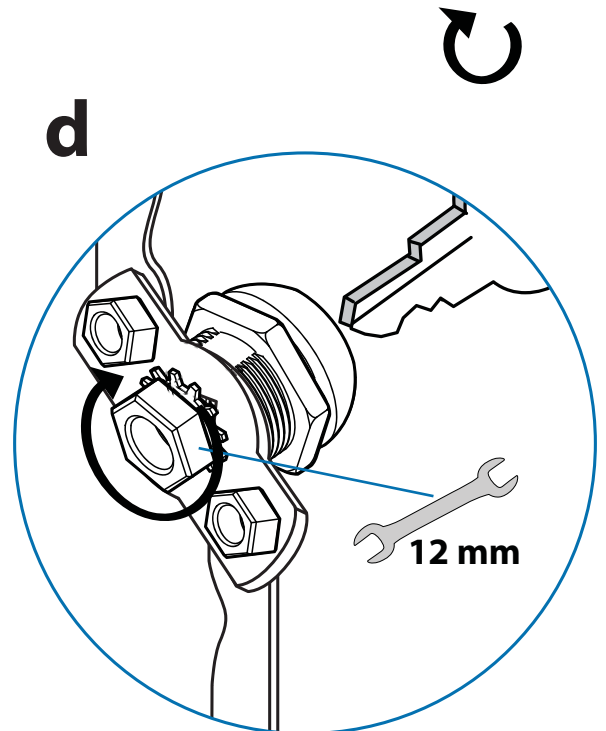
b



c

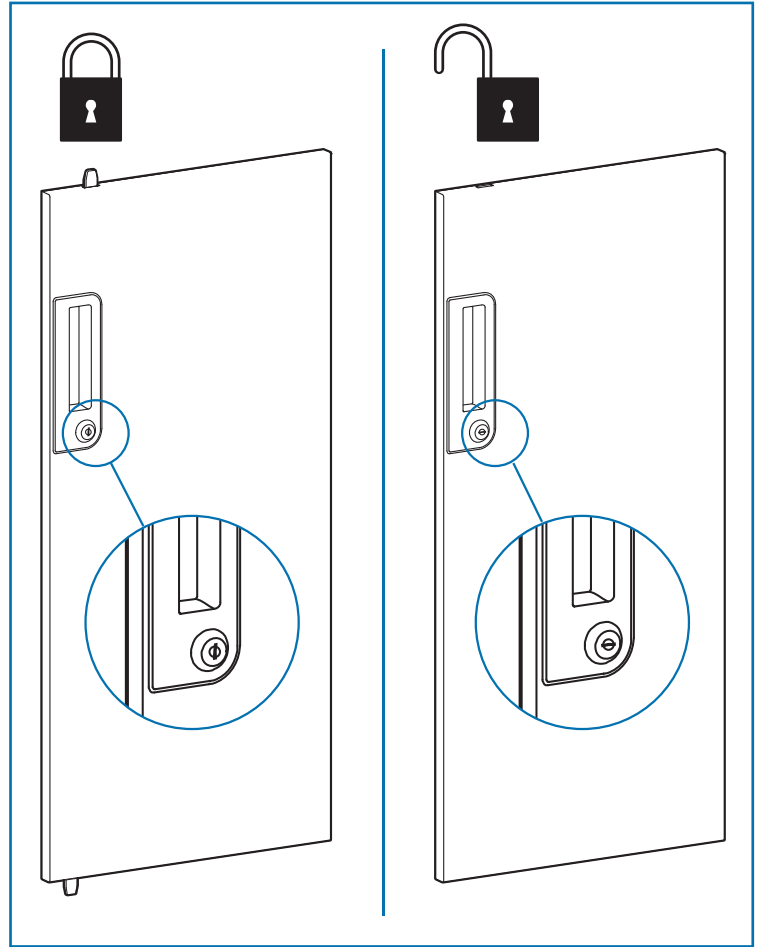
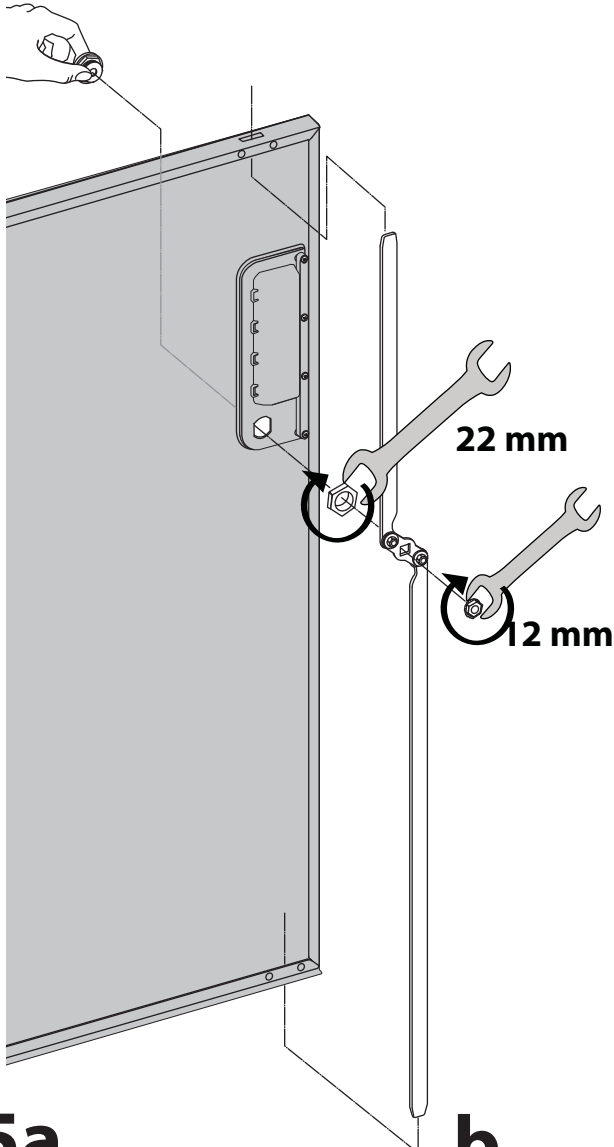


d

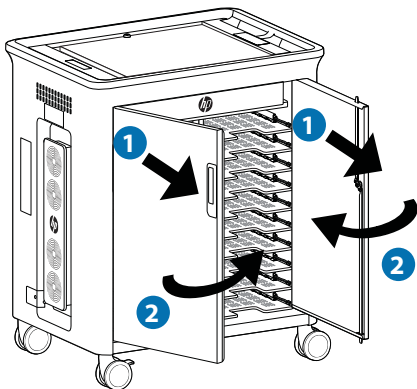


HP Charging and Managed Charging Cart

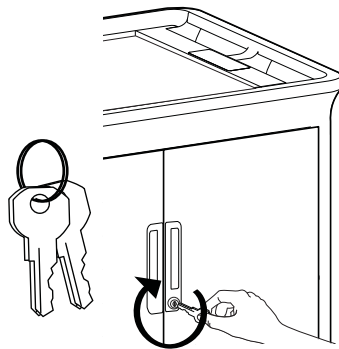
4a



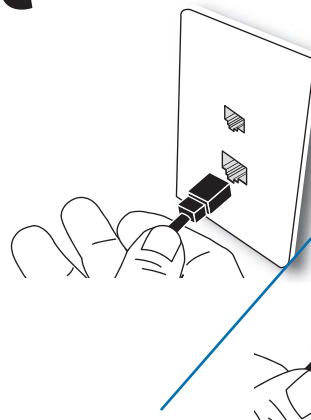
5a



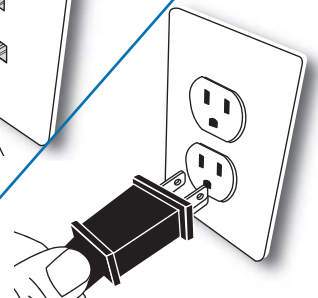
b



c



d



CUSTOM SOLUTION FOR HP BY ERGOTRON
FOR SERVICE VISIT www.ergotron.com/HP



© 2011 Ergotron, Inc.
All rights reserved.

While Ergotron, Inc. makes every effort to provide accurate and complete information on the installation and use of its products, it will not be held liable for any editorial errors or omissions (including those made in the process of translation from English to another language), or for incidental, special or consequential damages of any nature resulting from furnishing this instruction and performance of equipment in connection with this instruction. Ergotron, Inc. reserves the right to make changes in the product design and/or product documentation without notification to its users. For the most current product information, or to know if this document is available in languages other than those herein, please contact Ergotron. No part of this publication may be reproduced, stored in a retrieval system, or transmitted in any form or by any means, electronic, mechanical, photocopying, recording or otherwise without the prior written consent of Ergotron, Inc., 1181 Trapp Road, Eagan, Minnesota, 55121, USA Patents Pending and Patented U.S. & Foreign. Ergotron is a registered trademark of Ergotron, Inc.