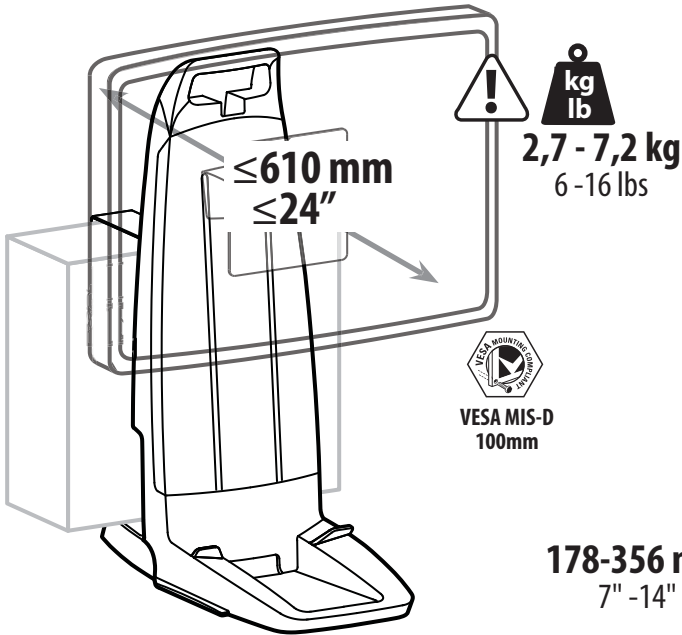




www.ergotron.com/hp



! **CAUTION:** This stand is intended for use only within the weight ranges indicated. Use with products heavier than the maximum weights indicated may result in instability causing personal injury or equipment damage.

