



# Adjustable Display Stand



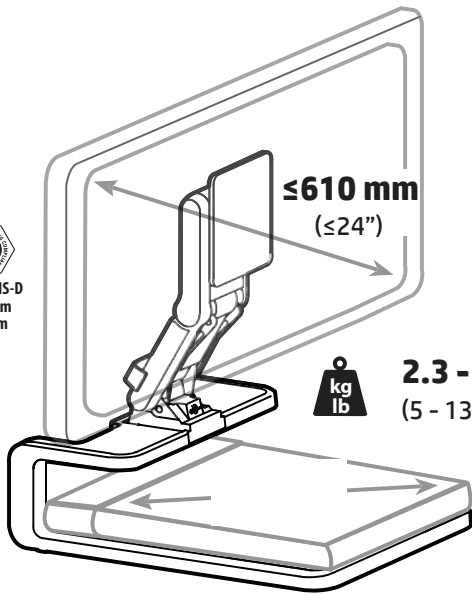
[www.ergotron.com/hp](http://www.ergotron.com/hp)



**CAUTION:** This stand is intended for use only within the weight ranges indicated. Use with products heavier than the maximum weights indicated may result in instability causing person injury or equipment damage.

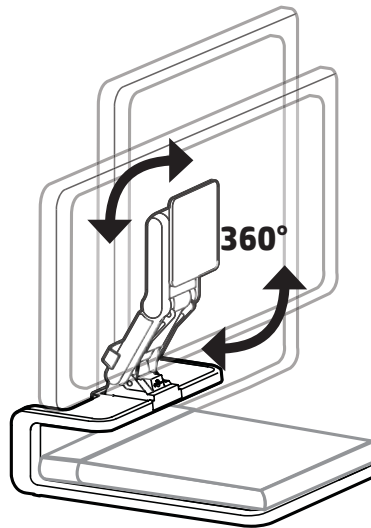


VESA MIS-D  
100mm  
75mm

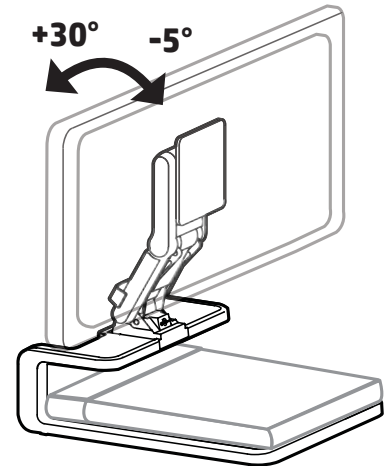


≤610 mm  
(≤24")

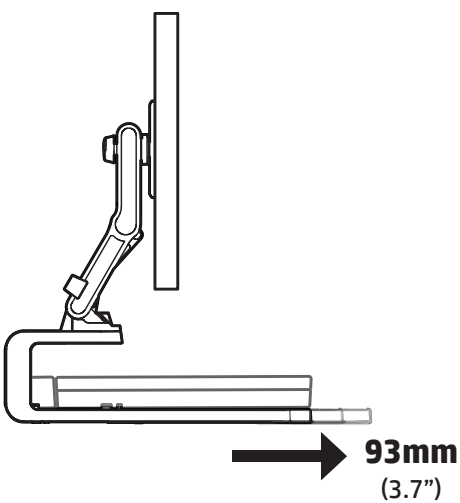
2.3 - 6 kg  
(5 - 13.2 lbs)



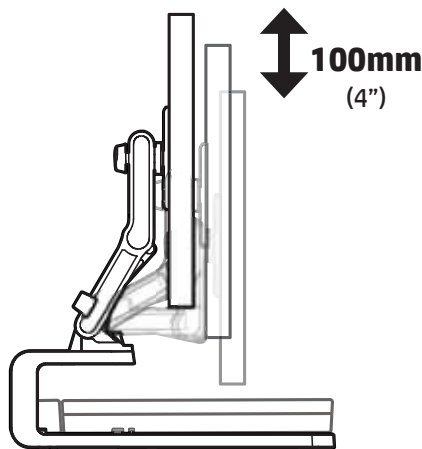
360°



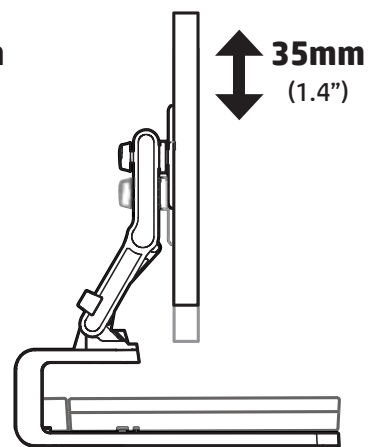
+30° -5°



93mm  
(3.7")



100mm  
(4")



35mm  
(1.4")

